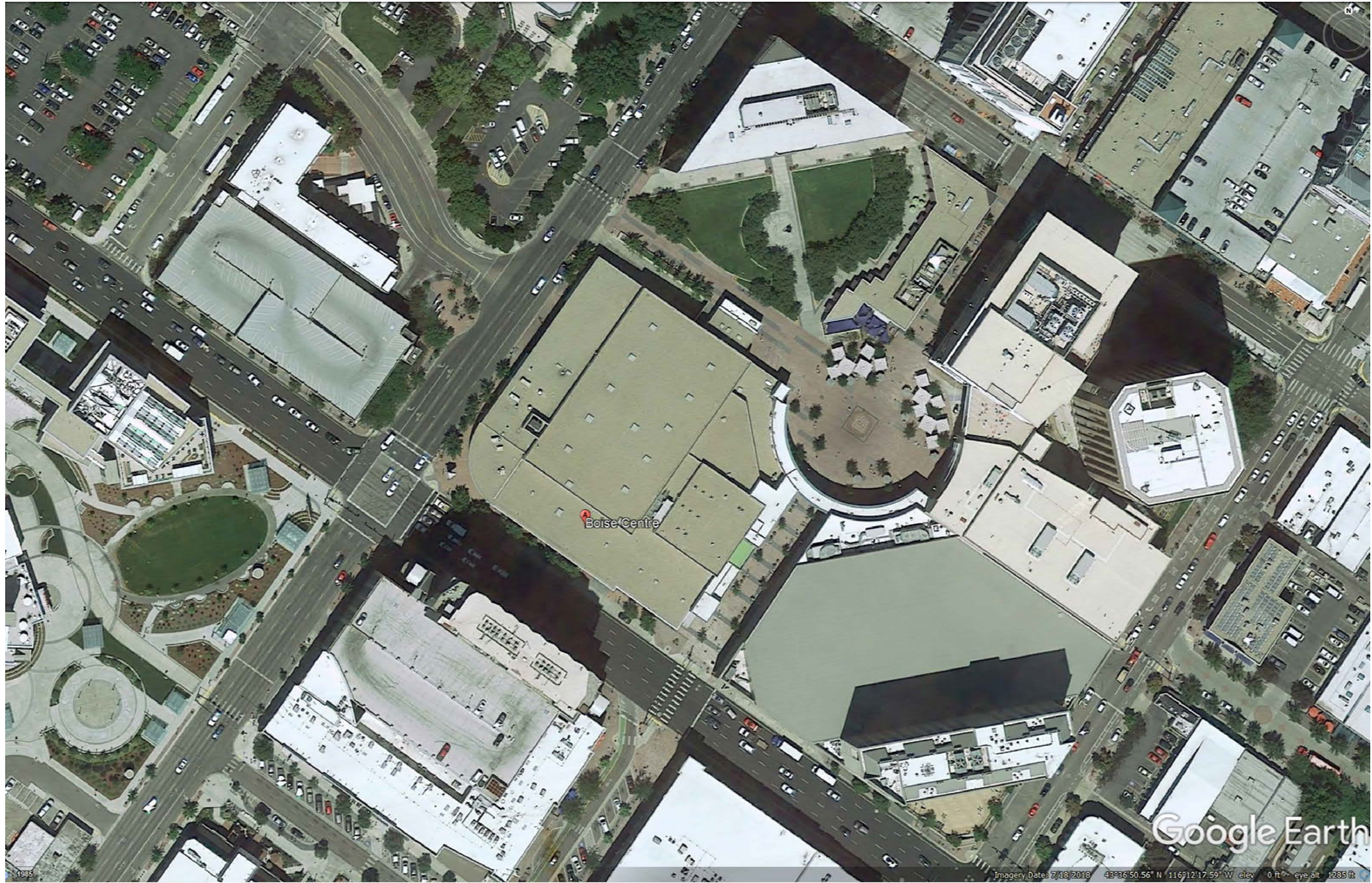


# Boise Centre Loading Dock Ramp

850 W. Front St.  
Boise, Idaho 83702

ISSUED FOR CONSTRUCTION (IFC)  
10/20/2021



Boise Centre  
Loading Dock Ramp  
850 W. Front St.  
Boise, Idaho 83709

No.	Revision/Issue	Date

DRAWN BY: N Archambeault

CHECKED BY:

APPROVED BY:

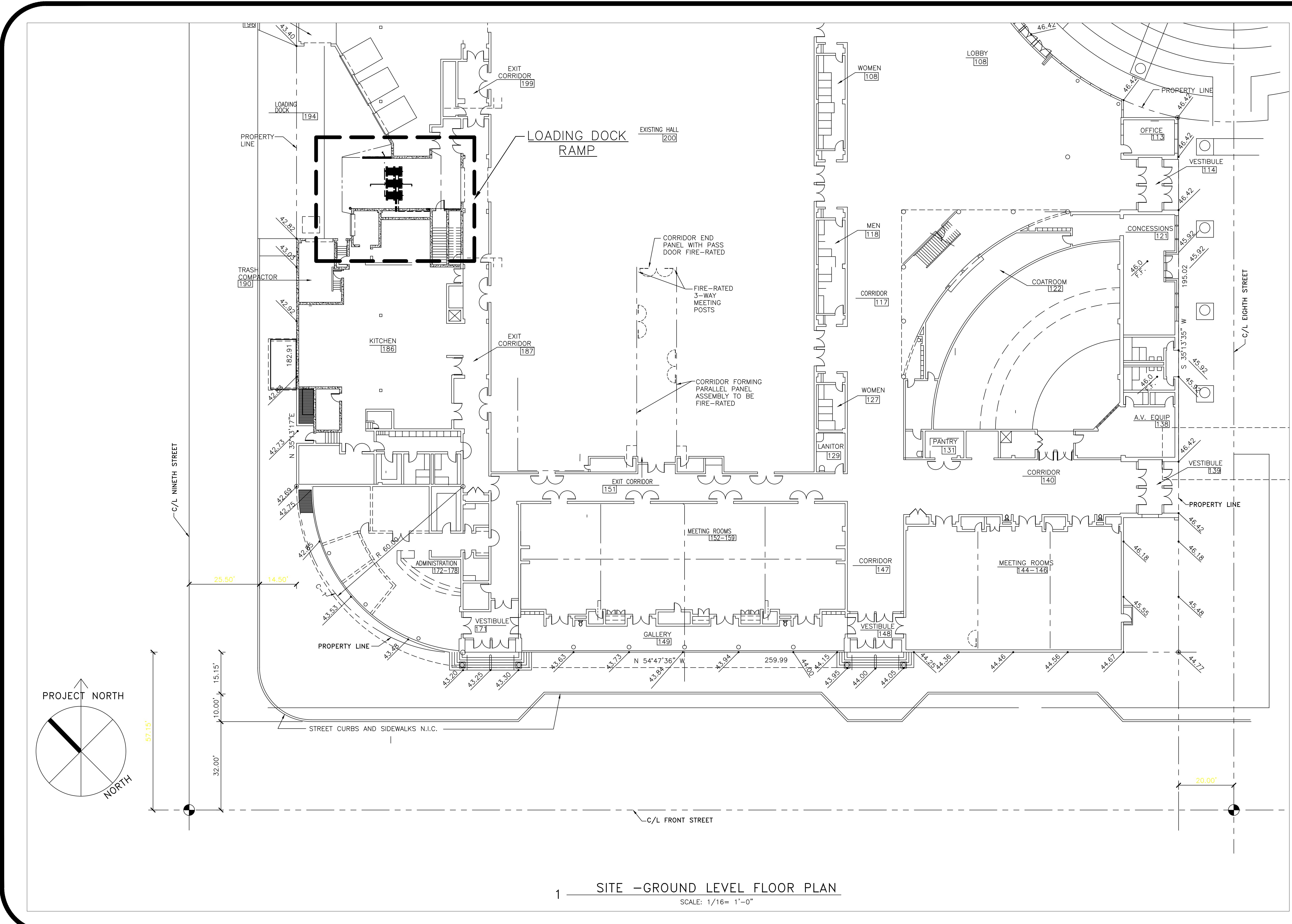
DATE: 10/20/2021

DRAWING TITLE:  
COVER

SHEET NUMBER:  
001

JOB NUMBER:  
22101



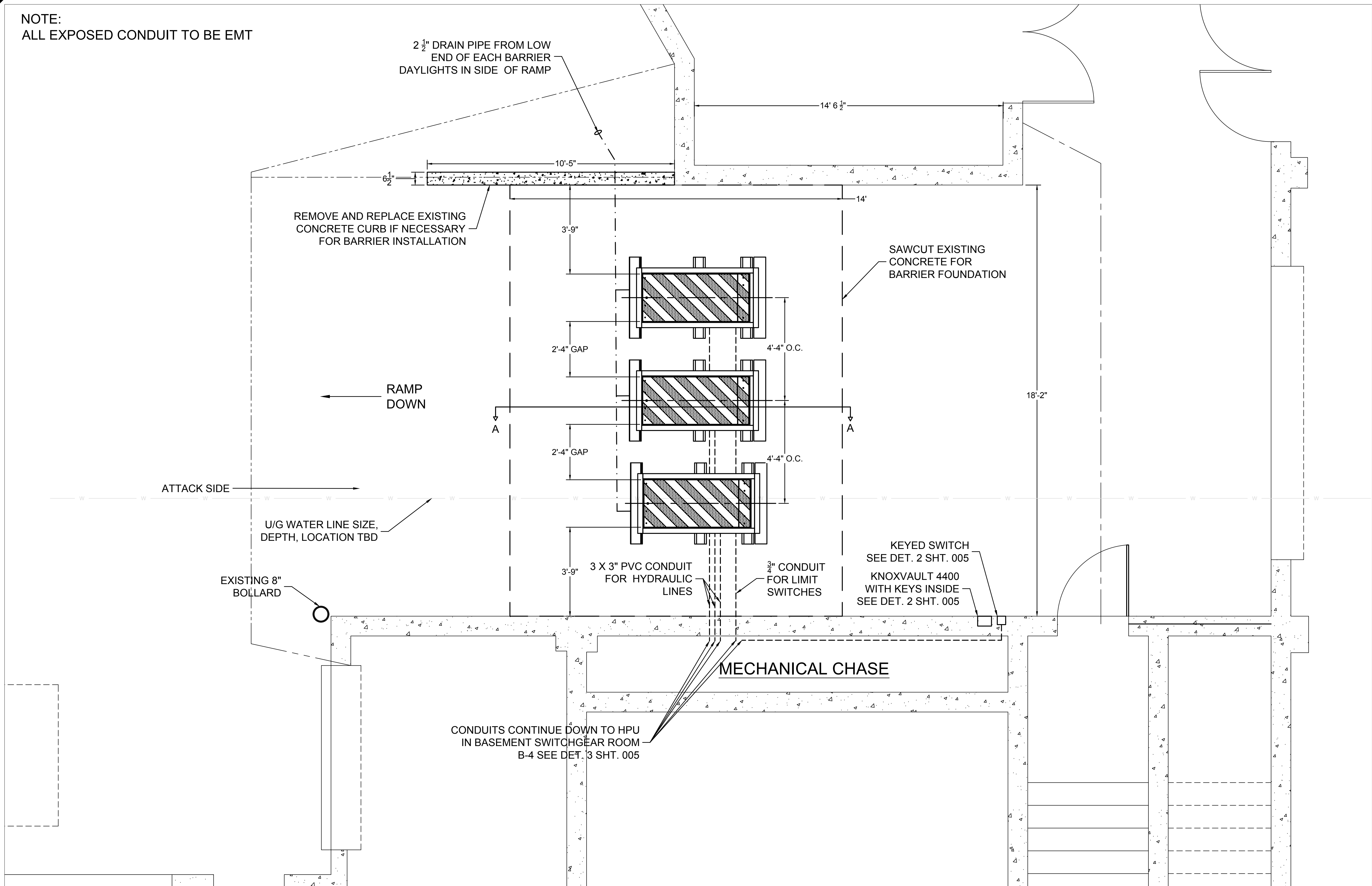


1 SITE -GROUND LEVEL FLOOR PLAN  
SCALE: 1/16" = 1'-0"

Boise Centre  
Loading Dock Ramp  
850 W. Front St.  
Boise, Idaho 83709

No.	Revision/Issue	Date
DRAWN BY: N Archambeault		
CHECKED BY:		
APPROVED BY:		
DATE: 10/20/2021		
DRAWING TITLE: FLOOR PLAN		
SHEET NUMBER: 002		
JOB NUMBER: 22101		

NOTE:  
ALL EXPOSED CONDUIT TO BE EMT



Boise Centre  
Loading Dock Ramp  
850 W. Front St.  
Boise, Idaho 83709

No.	Revision/Issue	Date

DRAWN BY: N Archambeault

CHECKED BY:

APPROVED BY:

DATE: 10/20/2021

DRAWING TITLE:

RAMP PLAN

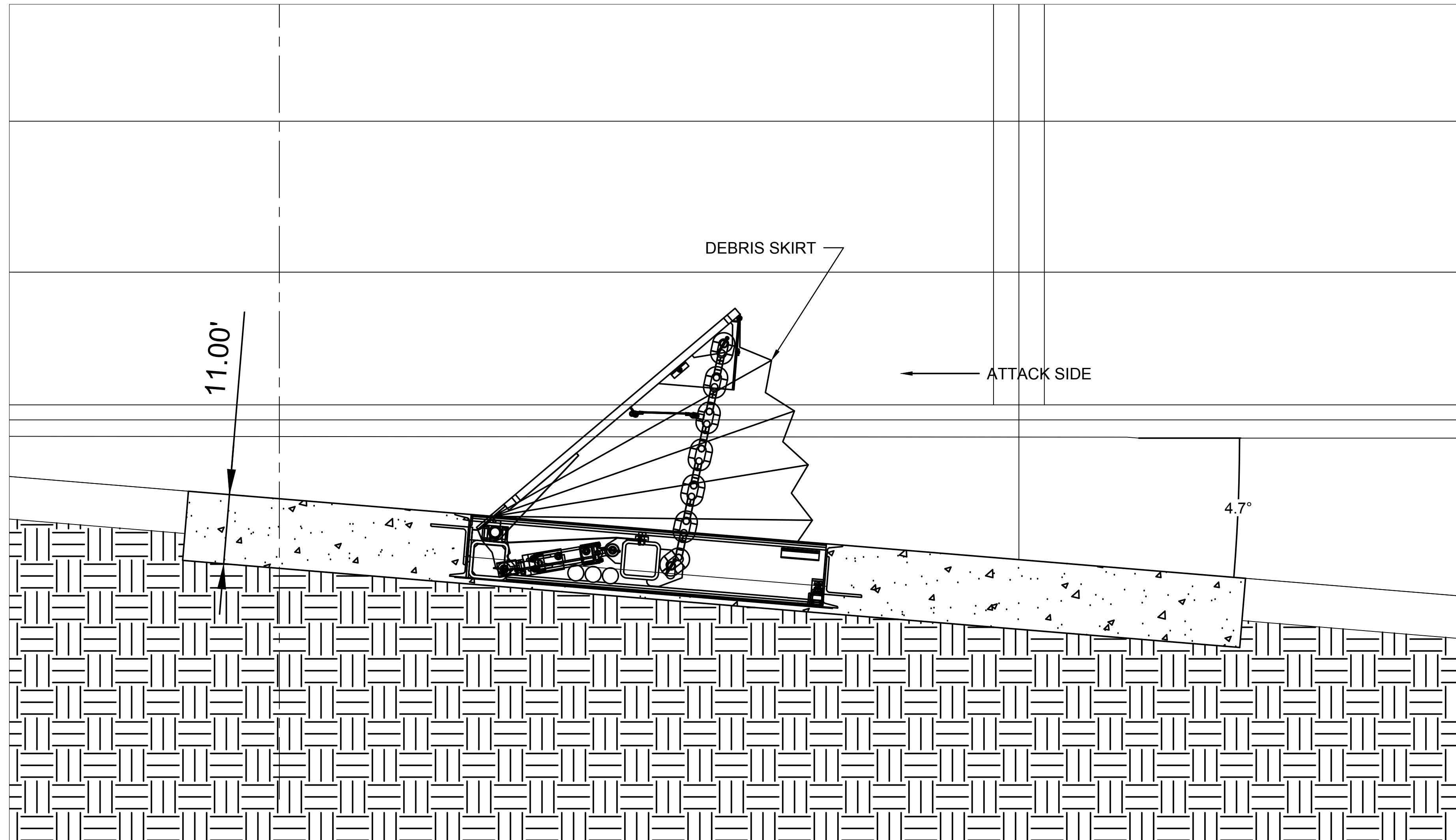
SHEET NUMBER:

003

JOB NUMBER:

22101

**1** LOADING DOCK RAMP PLAN  
SCALE: 1/2" = 1'-0"



A
A
 LOADING DOCK RAMP BUILDING SECTION  
 SCALE:  $\frac{1}{2}$ " = 1'-0"

Boise Centre  
 Loading Dock Ramp  
 850 W. Front St.  
 Boise, Idaho 83709

No.	Revision/Issue	Date

DRAWN BY: N Archambeault

CHECKED BY:

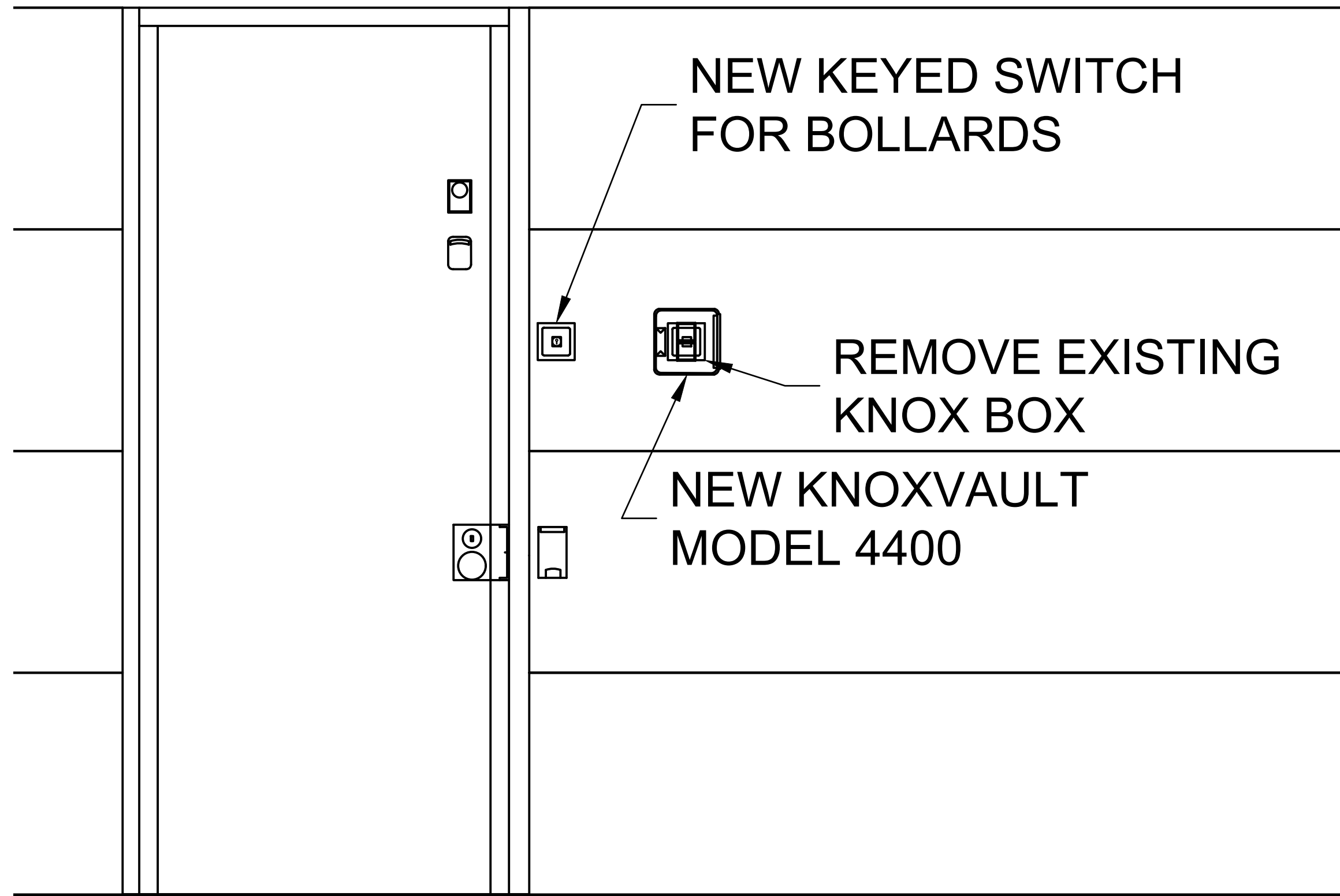
APPROVED BY:

DATE: 10/20/2021

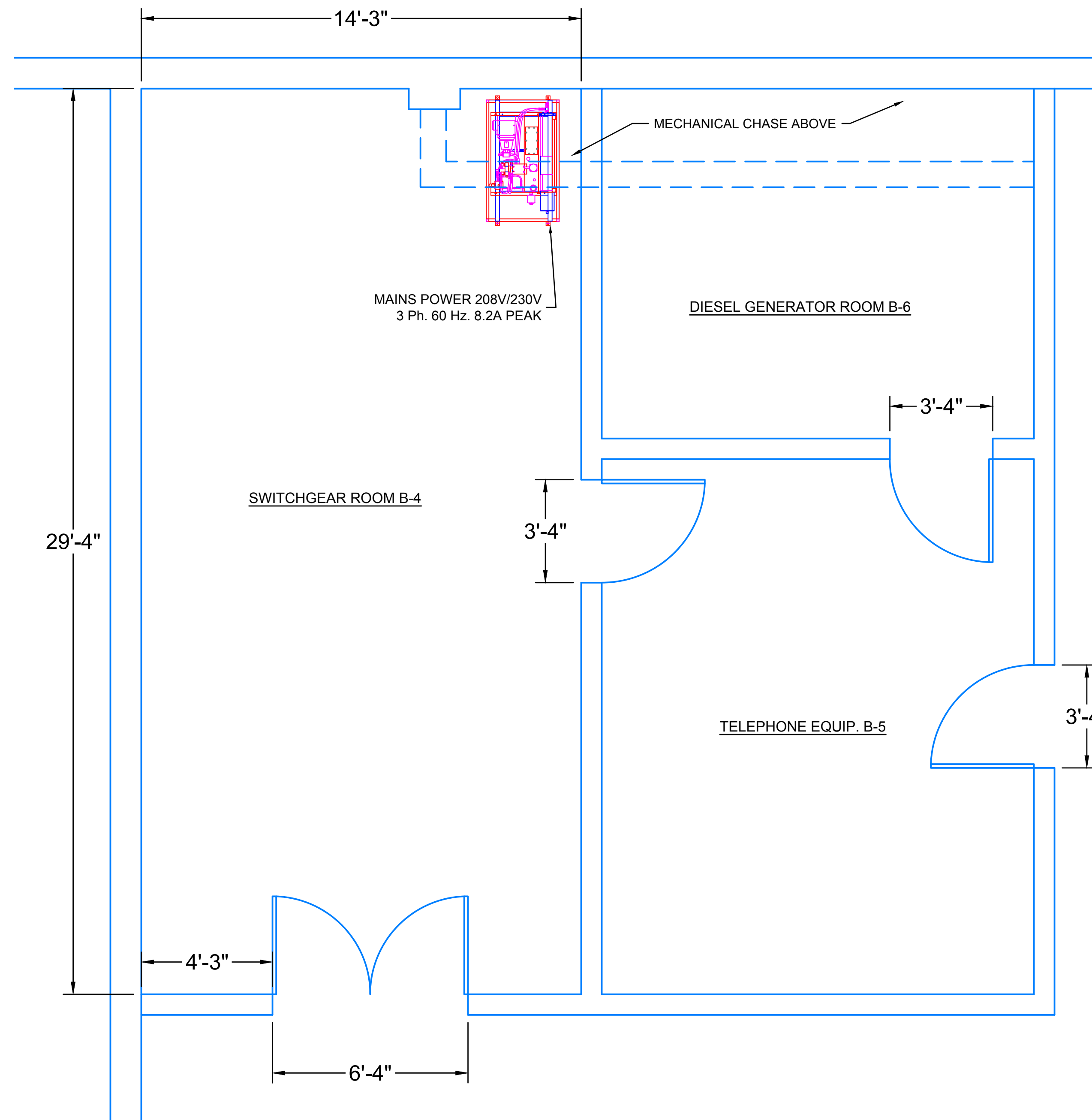
DRAWING TITLE:  
BARRIER SECTION

SHEET NUMBER:  
004

JOB NUMBER:  
22101



**2** LOADING DOCK RAMP MAN DOOR  
SCALE: 1" = 1'-0"



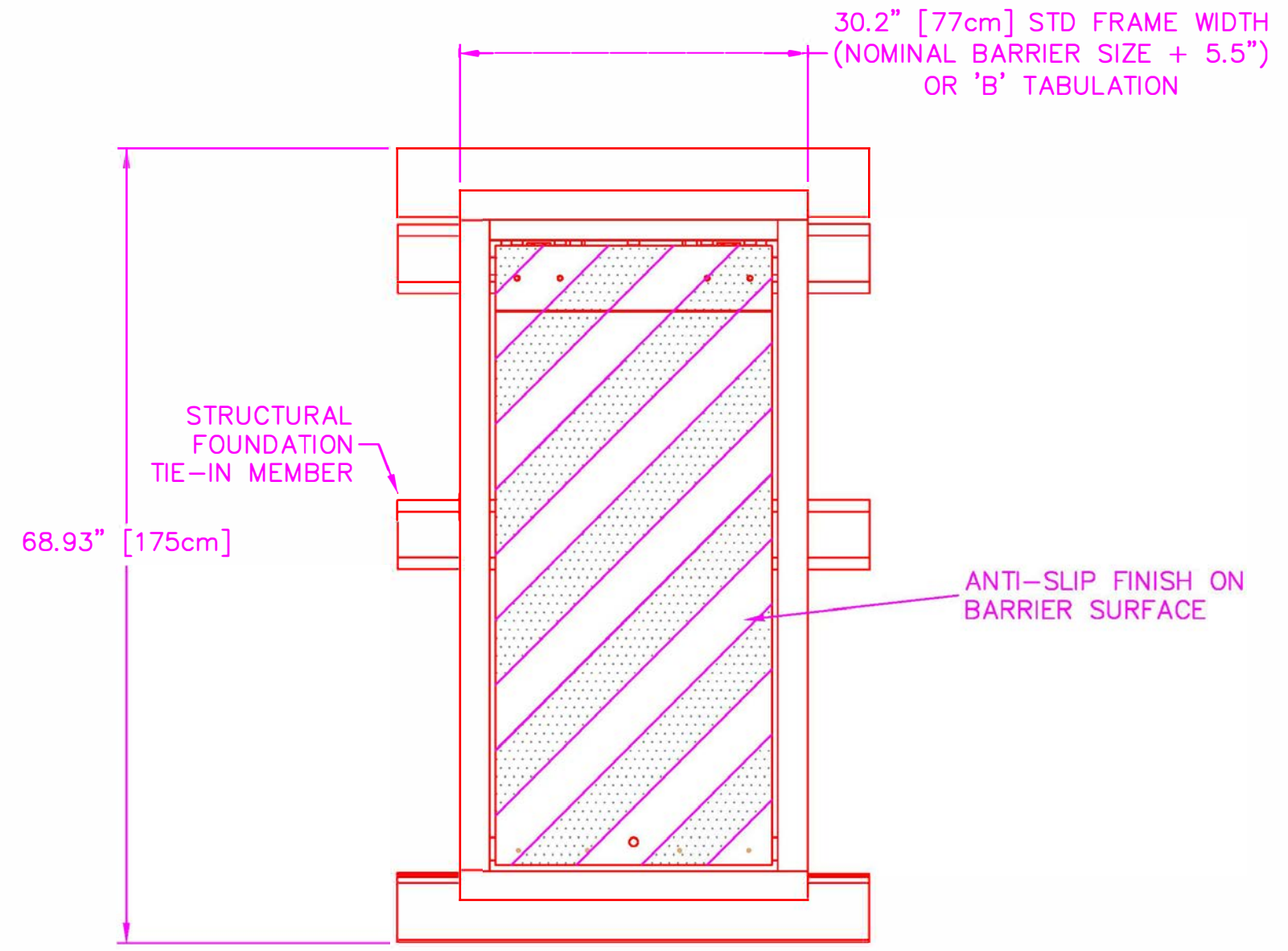
**3** BASEMENT SWITCHGEAR ROOM B-4 HPU LOCATION  
PLAN VIEW SCALE: 3/8" = 1'-0"

Boise Centre  
Loading Dock Ramp  
850 W. Front St.  
Boise, Idaho 83709

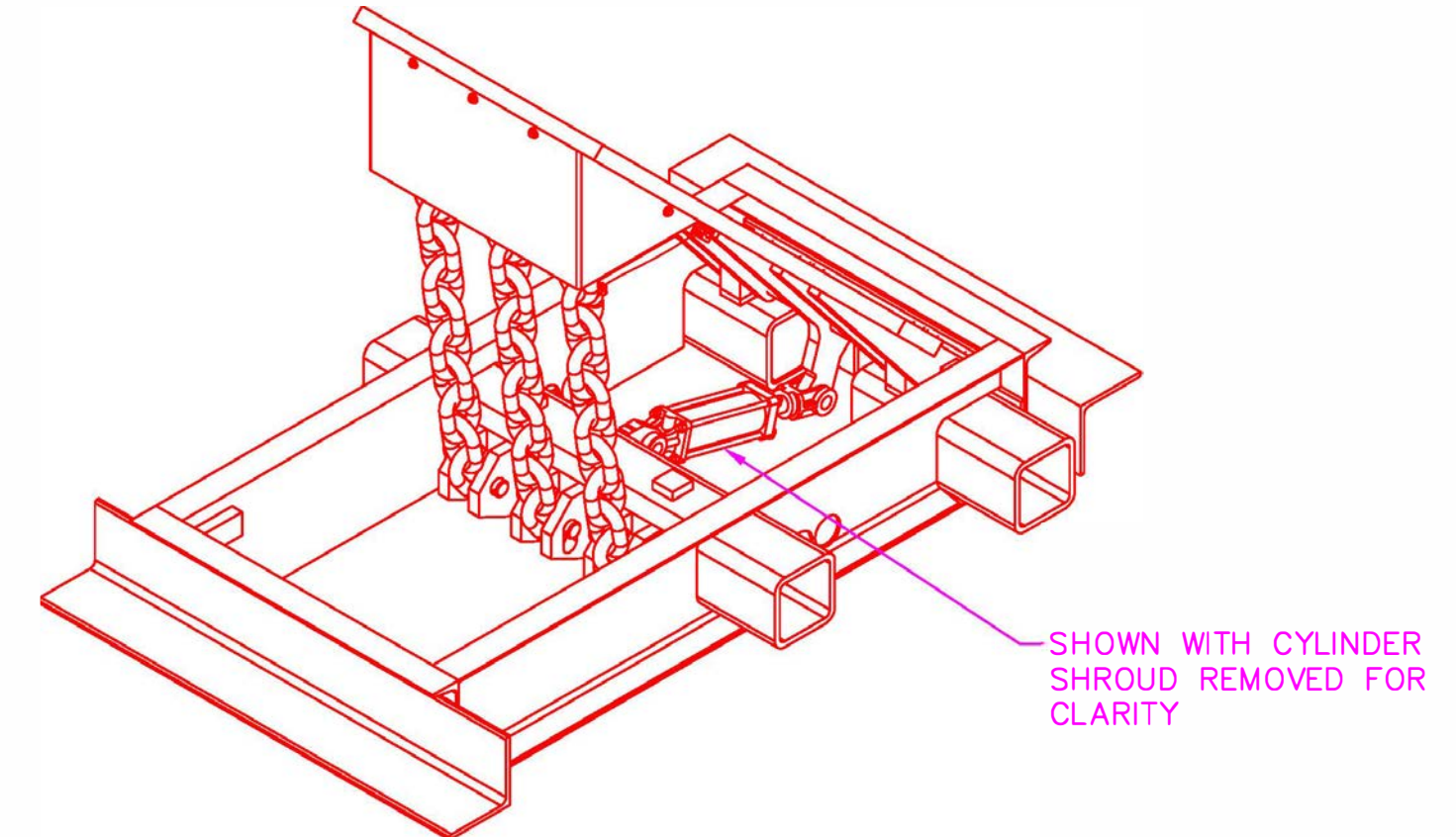
No.	Revision/Issue	Date

DRAWN BY: MS/NA
CHECKED BY:
APPROVED BY:
DATE: 10/20/2021
DRAWING TITLE: DETAILS
SHEET NUMBER: 005
JOB NUMBER: 22101





PLAN VIEW - DOWN POSITION

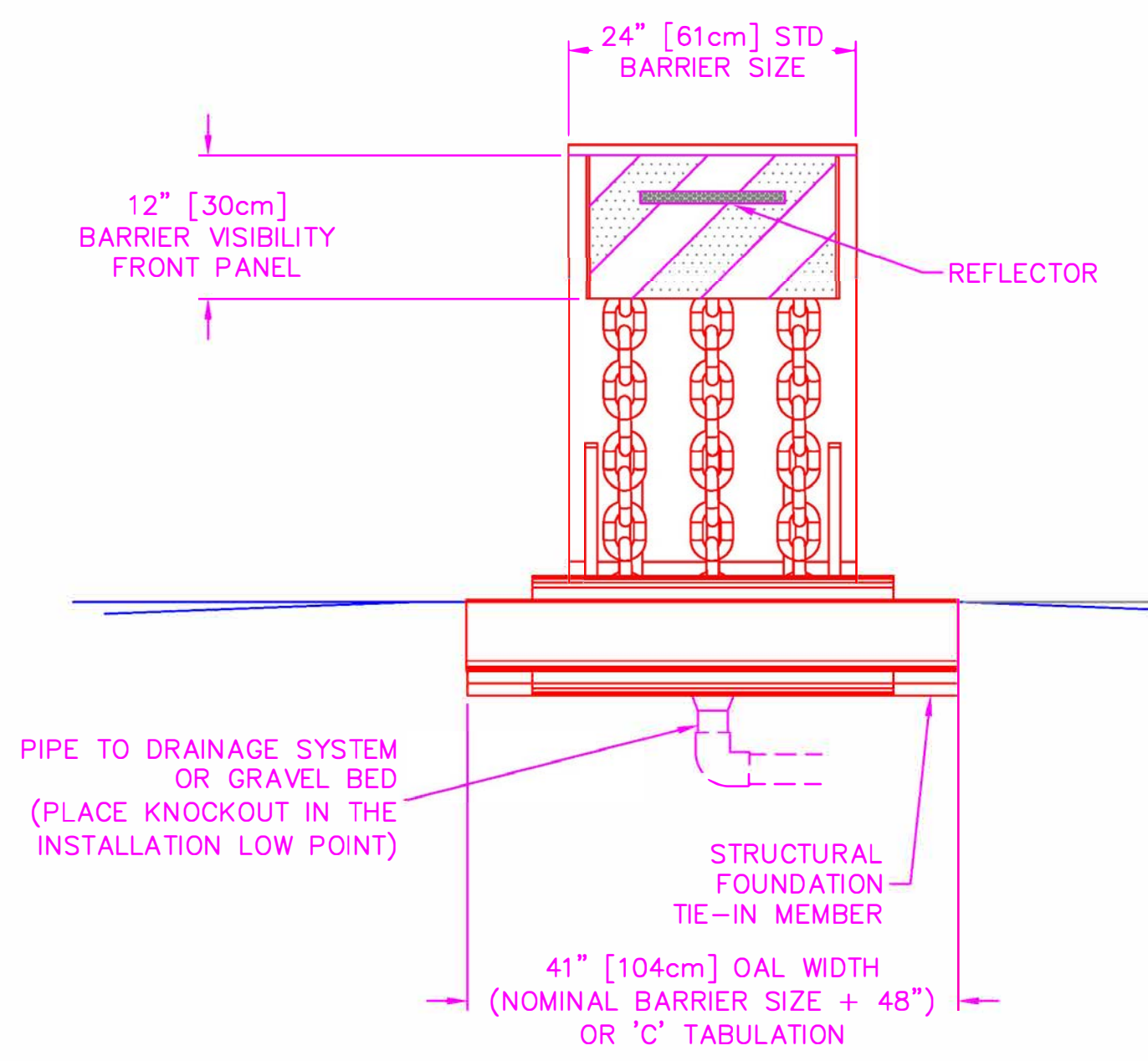


ITEM	REQ'D	DESCRIPTION/MATERIAL	WT EA	TOT WT	REF NO
1	1	FRAME ASSEMBLY	602.0	602.0	10716-00
2	1	TOP PLATE ASSEMBLY	523.0	523.0	10670-00
3	3	CHAIN (13 LINKS)	34.0	102.0	10704-00
4	1	HYDRAULIC CYLINDER, 2.5" X 6"	20.0	20.0	2468-08
5	3	TUBE, PVC, 2.5" O.D.	3.4	10.3	10667-05
6	2	BEARING BLOCK	5.0	10.0	2739-010
7	8	SCREW, SOCKET HEAD, 1/2-20 X 2"	0.0	0.2	SSH12202
8	8	WASHER, LOCK 1/2"	0.0	0.1	STOCK
9	8	WASHER, FLAT, 1-3/8" I.D. X 2.5" O.D. X 3/16" THK	0.1	0.4	STOCK
10	3	CHAIN PIN	2.0	6.0	10679-01
11	1	UPPER CHAIN PIN	7.0	7.0	10679-02
12	1	HINGE PIN	12.0	12.0	10679-03
13	1	FRONT SKIRT	21.0	21.0	10272-00
14	5	BOLT, 1/4-20 X .50 LONG, SST	0.0	0.1	STOCK
15	5	WASHER, 1/4" SST	0.0	0.1	STOCK
16	5	LOCK WASHER, 1/4" SST	0.0	0.1	STOCK
17	3	RING HANGER, 3/4"	0.0	0.1	3033T12
18	3	CABLE, CHAIN PULL	0.1	0.3	10743-00
19	6	BOLT, 1/4-20 X 1.25 LONG	0.0	0.1	STOCK
20	6	NUT, 1/4-20	0.0	0.1	STOCK
21	8	LINCH PIN	0.1	0.8	STOCK
TOTAL WEIGHT:				1,315	

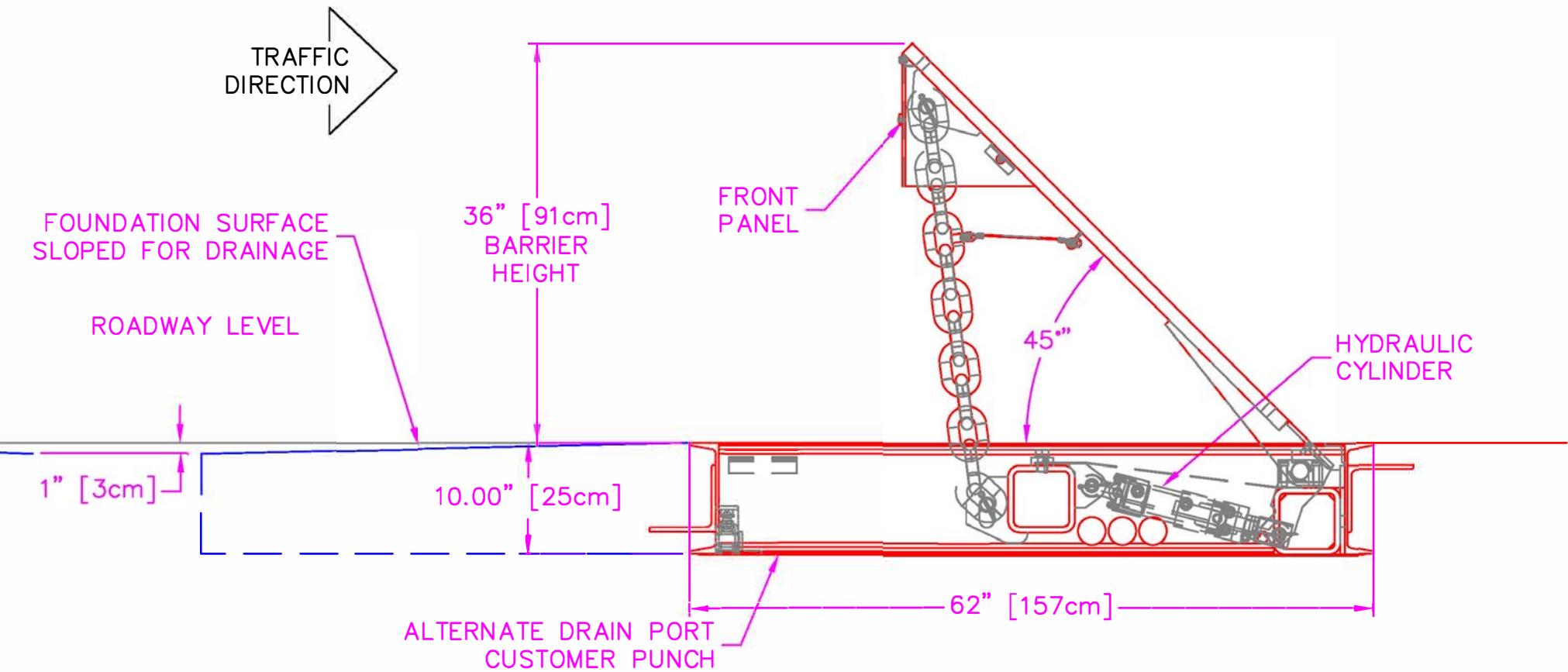
NOTES:

- OPTIONAL FEATURES (PARTIAL)
 

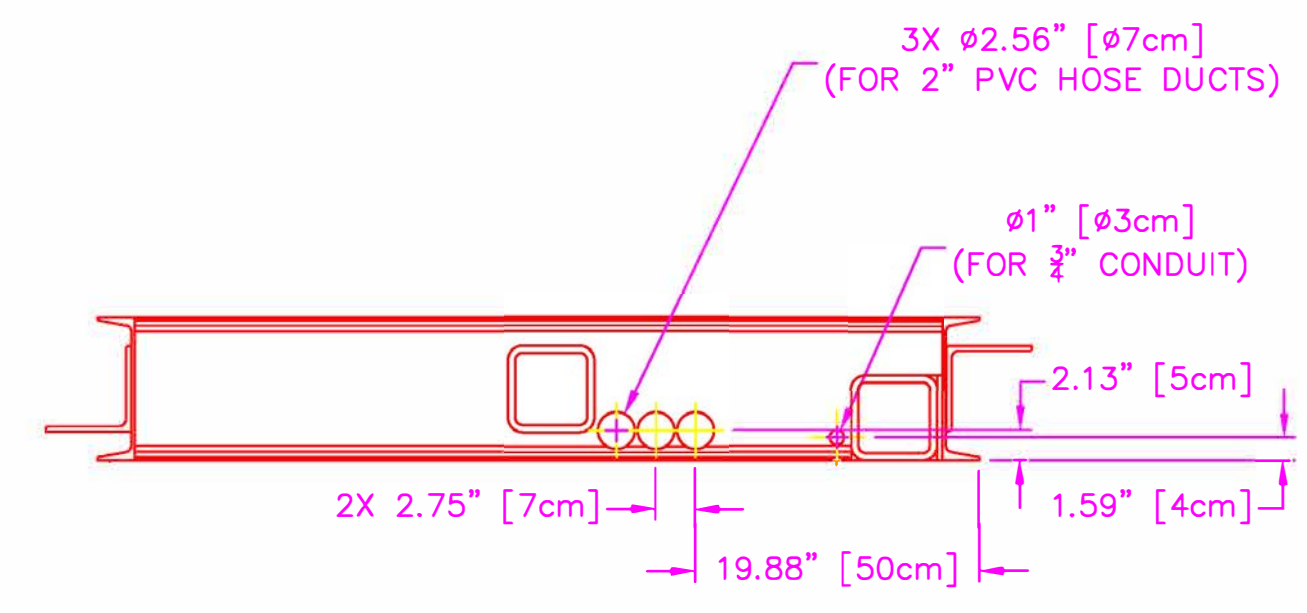
	PART NO.
(A) HEATER, 300 WATTS @ 120 VOLTS	B1283
(A) HEATER, 300 WATTS @ 240 VOLTS	B1284
(B) LIMIT SWITCH, FULLY DOWN	B2005
(C) LIMIT SWITCH, FULLY UP	B2006
(D) HOT-DIP GALVANIZING PRIOR TO PAINTING	
- COLOR OPTIONS:
  - SCHEME 90130-20: WHITE W/4" WIDE YELLOW STRIPES
  - SCHEME 90130-25: BLACK W/4" WIDE YELLOW STRIPES
  - SCHEME 90130-30: WHITE W/4" WIDE RED STRIPES
- FOUNDATION - ASBESTOS FREE ASPHALT EMULSION UNDERCOAT.
- ALL STEEL MEMBERS PER AISC STANDARDS WELDING DESIGN CRITERIA AWS D1.1, LATEST REVISION.
- ALL VISIBLE TOP STEEL COMPONENTS SANDBLASTED TO NEAR WHITE METAL AFTER FABRICATION AND PRIOR TO COATING.
- REFER TO DRAWING 91130 FOR FOUNDATION SPECIFICATION



FRONT ELEVATION - UP POSITION



SIDE ELEVATION - UP POSITION



HOSE DUCT AND CONDUIT CONNECTIONS BOTH SIDES

A	ECO #2006-131	JNF	10/11/06		
REV.	DESCRIPTION	DRWN BY	DATE	APPVD BY	DATE
<small>THIS DRAWING UNLESS OTHERWISE NOTED, REMAINS THE CONFIDENTIAL PROPERTY AND TRADE SECRET OF DELTA SCIENTIFIC CORPORATION. IT SHALL NOT BE DISCLOSED, REPRODUCED OR USED FOR MANUFACTURE, DESIGN OR CONSTRUCTION WITHOUT THE EXPRESS AUTHORIZATION OF DELTA SCIENTIFIC CORPORATION. THE RECEIPT BY ACCEPTING THIS DRAWING, RELEASES CUSTOMER THEREOF AND UNDER THE ABOVE USES, AGREES NOT TO ALLOW USE OF BY UNAUTHORIZED PERSONS.</small>		<b>DELTA SCIENTIFIC CORPORATION</b> 40355 DELTA LANE PALMDALE, CA 93551 U.S.A. (661) 575-1100 FAX (661) 575-1109		<b>DSC2000 PHALANX BARRIER</b> GENERAL ARRANGEMENT	
<small>UNLESS OTHERWISE NOTED DIMENSIONS ARE IN INCHES</small> TOLERANCES .X = ±.060/FT .XX = ±.030/FT .XXX = ±.010/FT ANGLES = ±.5° SURFACE FINISH 125		DRWN BY J. FRIEND DATE 7/25/05	DRAWING NO. 90130	REV. A	SCALE: 1:12 (D SIZE)
<small>© 2006 ALL RIGHTS RESERVED REMOVE ALL BURRS &amp; BREAK SHARP EDGES .02 MAX</small>		APPVD BY DATE	SHEET 1 OF 1		



Boise Centre  
 Loading Dock Ramp  
 850 W. Front St.  
 Boise, Idaho 83709

No.	Revision/Issue	Date

DRAWN BY: N Archambeault

CHECKED BY:

APPROVED BY:

DATE: 10/20/2021

DRAWING TITLE:

DSC2000 BARRIER

SHEET NUMBER:

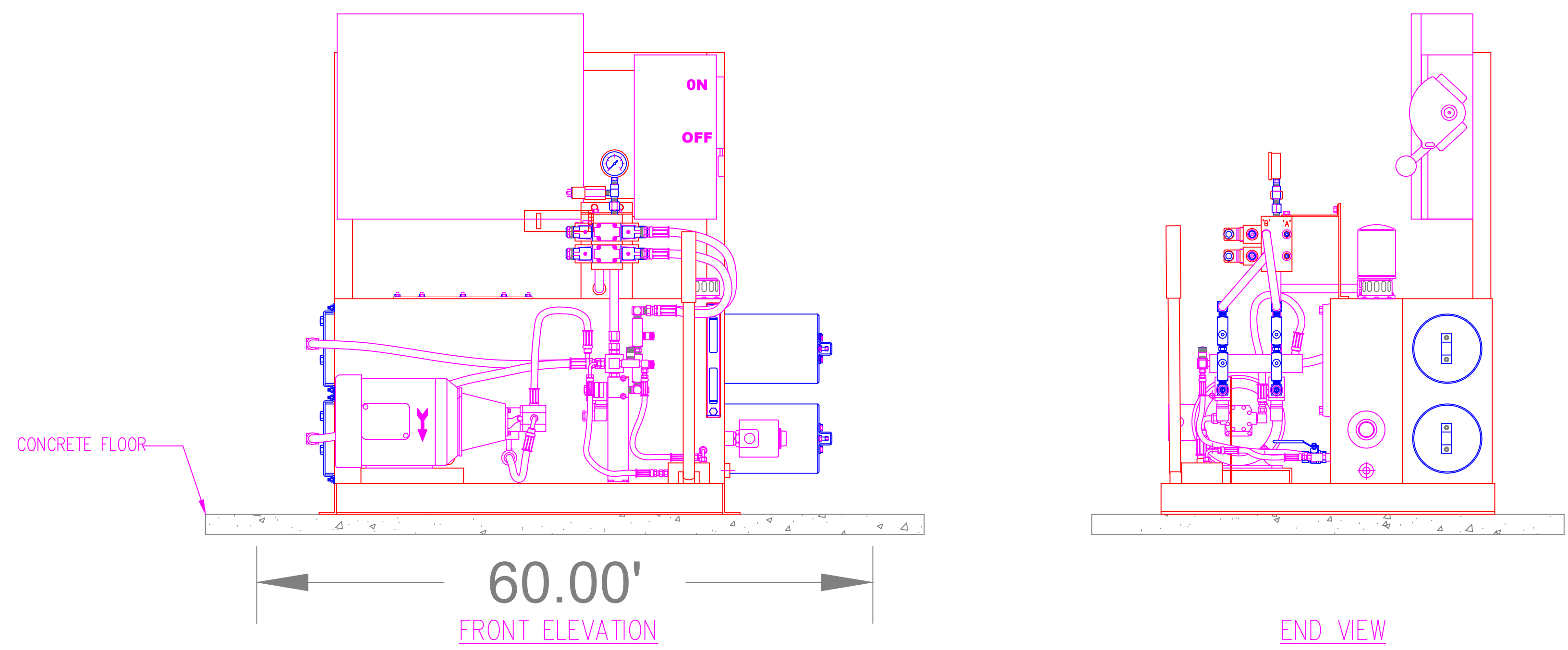
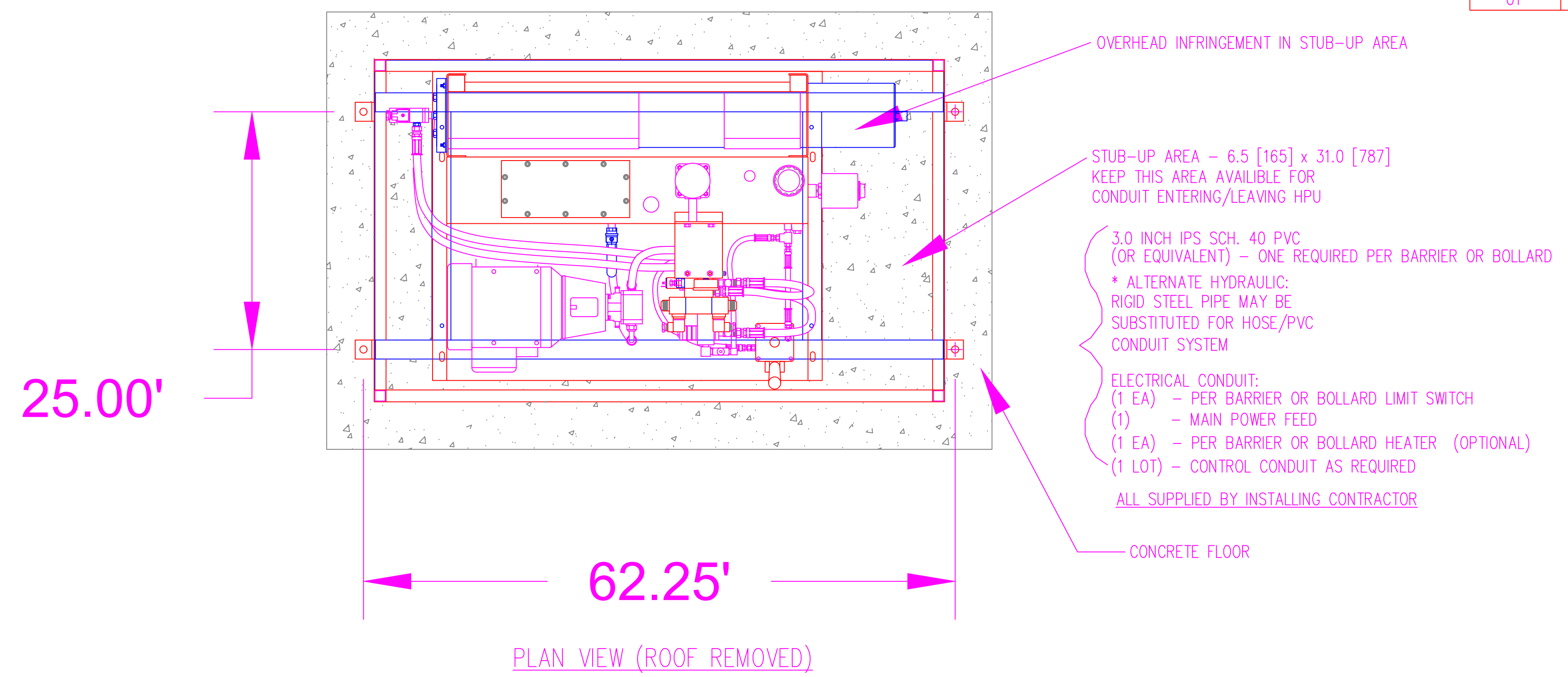
006

JOB NUMBER:

22101



ITEM	REQ'D	DESCRIPTION	STK. NO.	WEIGHT
01	1	HYDRAULIC POWER UNIT	905xx	'W' LBS
			TOTAL WT:	'WT' LBS



A	ADDED ENCLOSURE DETAIL	JNF	12/24/02	
REV.	DESCRIPTION	DRWN BY	DATE	APPVD BY DATE
<small>THIS DRAWING UNLESS OTHERWISE NOTED, REMAINS THE CONFIDENTIAL PROPERTY AND TRADE SECRET OF DELTA SCIENTIFIC CORPORATION. IT SHALL NOT BE DISCLOSED, REPRODUCED OR USED FOR MANUFACTURE, DESIGN OR CONSTRUCTION WITHOUT THE EXPRESS AUTHORIZATION OF DELTA SCIENTIFIC CORPORATION. THE RECIPIENT BY ACCEPTING THIS DRAWING, AGREES TO HOLD THEREOF AND UNDER THE ABOVE TERMS AGREES NOT TO ALLOW USE OF BY UNAUTHORIZED PERSONS.</small>		<small>UNLESS OTHERWISE NOTED DIMENSIONS ARE IN INCHES</small>		
<small>TOLERANCES .X = ±.060/FT .XX = ±.030/FT .XXX = ±.010/FT ANGLES = ±.5°</small>		<b>DELTA SCIENTIFIC CORPORATION</b> <small>40355 DELTA LANE PALMDALE, CA 93551 U.S.A. (661) 575-1100 FAX (661) 575-1109</small>		
<small>SURFACE FINISH 125</small>		<small>DRWN BY</small> J. FIREND <small>DATE</small> 11/18/98	<small>DRAWING NO.</small> <b>90505</b>	<small>REV.</small> <b>A</b>
<small>REMOVE ALL BURRS &amp; BREAK SHARP EDGES .02 MAX</small>		<small>CHKD BY</small> 	<small>SCALE:</small> 1:8 (D SIZE)	<small>SHEET</small> 1 OF 1
<small>© 1999 ALL RIGHTS RESERVED</small>				

Boise Centre  
 Loading Dock Ramp  
 850 W. Front St.  
 Boise, Idaho 83709

No.	Revision/Issue	Date
DRAWN BY: N Archambeault		
CHECKED BY:		
APPROVED BY:		
DATE: 10/20/2021		
DRAWING TITLE:		
HPU		
SHEET NUMBER:		
007		
JOB NUMBER:		
22101		